

Thank you for purchasing a Beaver BS 250 Stand!

Please read through the instructions carefully, prior to assembly, to help ensure the stand is easily and correctly put together.

PARTS LIST

NOTE: Please double check to ensure all parts are accounted for before discarding packaging.

Part Name	Ref Number	Order Number	Qty Required
Center Rod	315	55100017	1
Star Washer	395	50100010	2
Gasket	379	50100099	1
4" Diameter Pipe	372	50100100	1
Cast Iron Base	371	50100101	1
Tulip	375	50100102	1
Feet(Pre-Installed)	382	50100091	4
Security Tether Kit	N/A	50160005	1
½"x13 NC Hex Jam Nut (1 Pre-Installed)	385	50100103	3

ONLY INCLUDED WITH BS250B (TWO MACHINES)

Double Bar	307	50100004	1
7/8" Robertson Screw	396	55100058	4

ONLY INCLUDED WITH BS250C (THREE MACHINES)

Triple Bar	308	50100005	1
7/8" Robertson Screw	396	55100058	4



Since 1963

Beaver Stand

[ASSEMBLY INSTRUCTIONS]

If you have any questions or require assembly assistance, please contact us for technical support.

BEAVER TECHNICAL SUPPORT

Phone: 905.836.4700 CDN & INT'L
800.265.6772 USA

Fax: 905.836.4737

Email: sales@beavervending.com

HOURS OF OPERATION

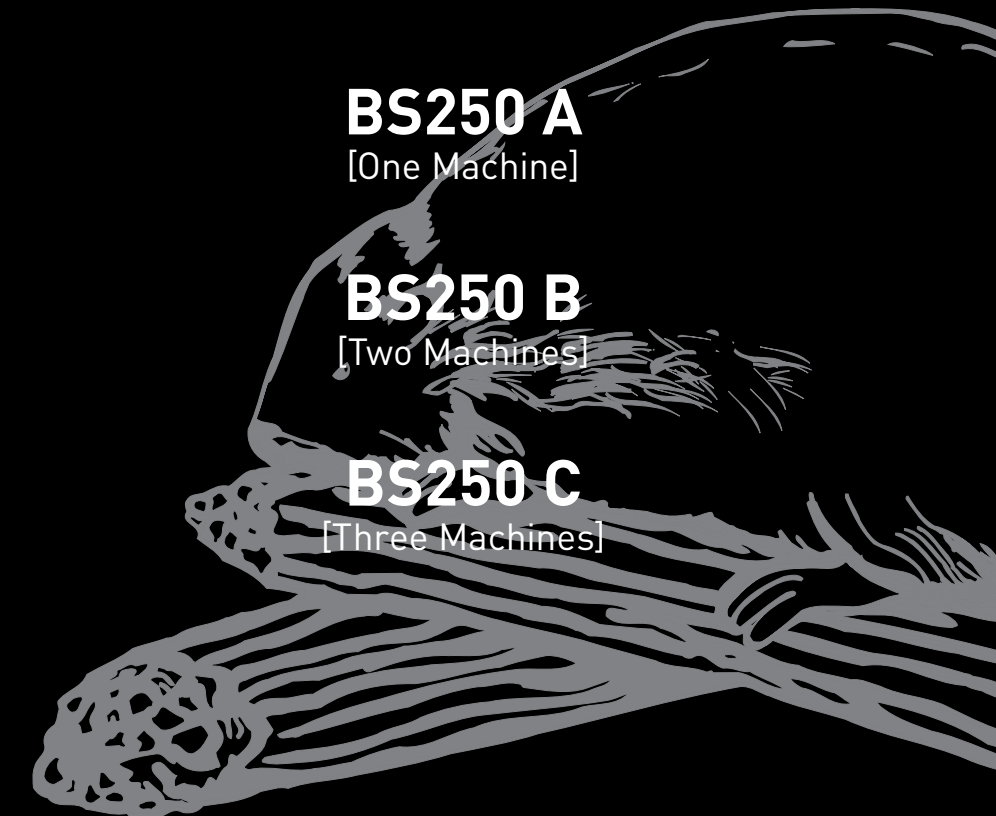
Monday – Thursday: 8AM – 4:30PM EST
Friday: 8AM – 11.30AM EST

WWW.BEAVERVENDING.COM

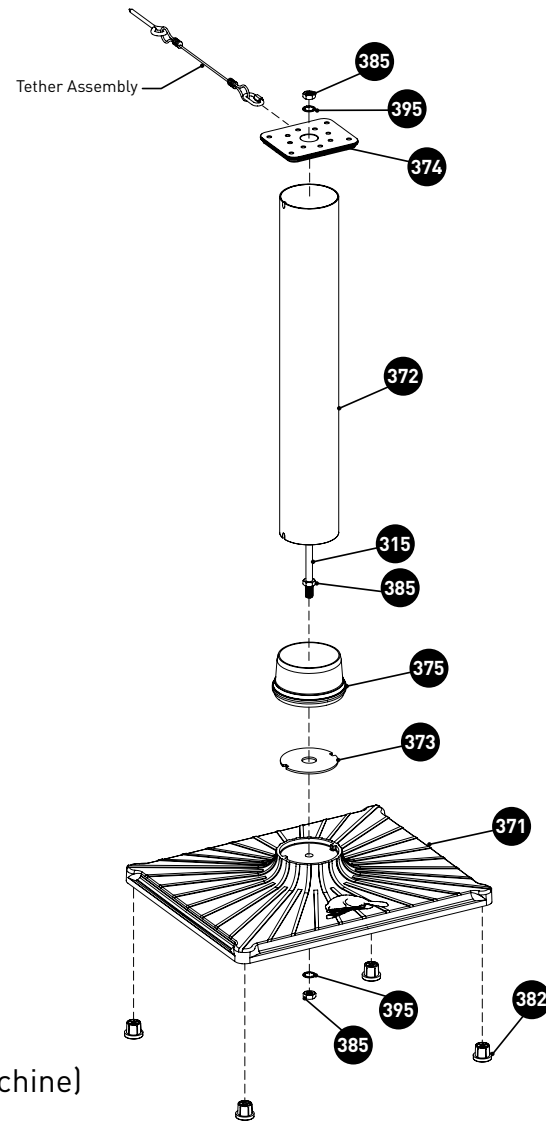
BS250 A
[One Machine]

BS250 B
[Two Machines]

BS250 C
[Three Machines]



BS250 A



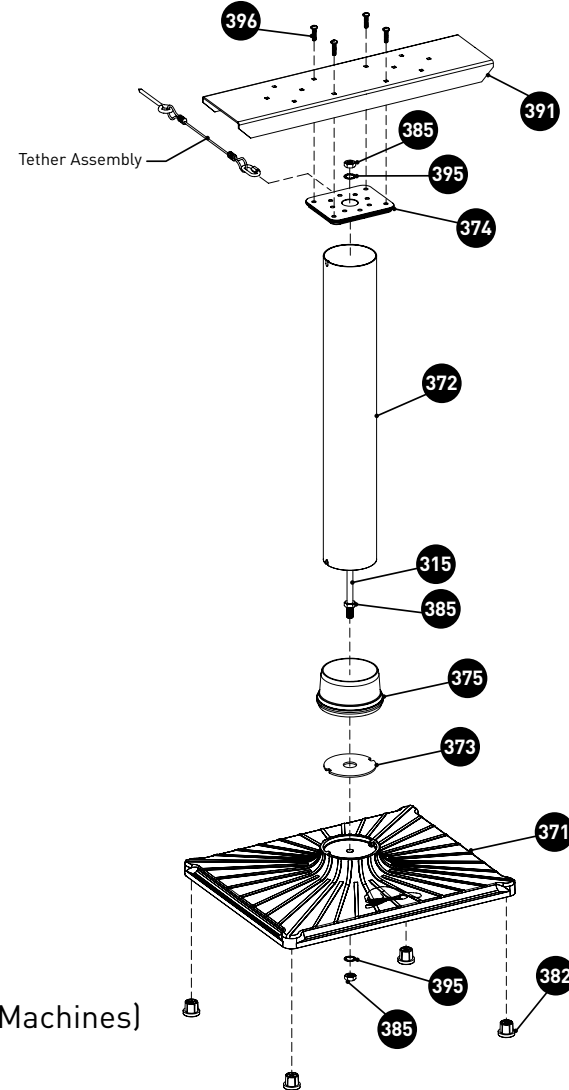
→ BS250 A (One Machine)

ASSEMBLY INSTRUCTIONS

****REQUIRED TOOLS (NOT SUPPLIED):** 3/4" DEEP SOCKET, 7/16" WRENCH OR SOCKET, ROBERTSON SCREW DRIVER (SIZE #2, SQUARE TIP) & VISE-GRIP PLIERS

1. Take Center Rod [315] with a pre-installed Hex Jam Nut [385] and insert into the Base [371].
2. Place a Star Washer [395] and a Hex Jam Nut [385] onto the bottom portion of the Center Rod [315] that is protruding from the bottom of the Base [371].
3. Using the Vise-Grips, clamp the Center Rod [315], and using the 3/4" Wrench or Socket, tighten the BOTTOM Hex Jam Nut [385]. Do NOT torque the top Jam Nut!
4. Slide the Gasket [373] on the Center Rod [379] and line up with the notch in the Base [371].
5. Slide the Tulip [375] and the Pipe [372] together, being sure to line up the notches.
6. Slide Pipe assembly over the Center Rod [315] and locate onto the Base [371] by lining up the notches.
7. Install the remaining Star Washer [395] and Hex Jam Nut [395] on the top of the center rod, and tighten it. NOTE: A wrench or socket may be used on each end of the Center Rod [379] to help ensure that the rod does not spin while tightening the upper nut.
8. Stand on the Base [371] and rock the Pipe [372] back and forth, then retighten the Hex Nut [385] on the bottom of the Base [371]. This helps to seat the Pipe [372] into the Base [371] so that it doesn't loosen over time.
9. Your stand is now assembled and ready to have the machines and Security Tether installed. Please see detailed installation instructions included with these components.

BS250 B



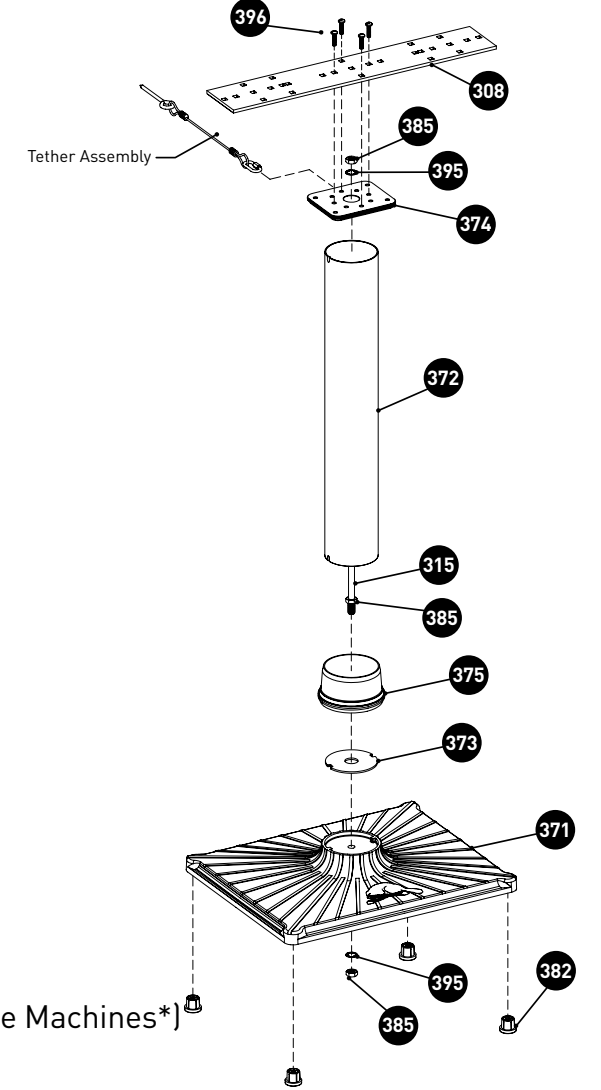
→ BS250 B (Two Machines)

ASSEMBLY INSTRUCTIONS

****REQUIRED TOOLS (NOT SUPPLIED):** 3/4" DEEP SOCKET, 7/16" WRENCH OR SOCKET, ROBERTSON SCREW DRIVER (SIZE #2, SQUARE TIP) & VISE-GRIP PLIERS

1. Take Center Rod [315] with a pre-installed Hex Jam Nut [385] and insert into the Base [371].
2. Place a Star Washer [395] and a Hex Jam Nut [385] onto the bottom portion of the Center Rod [315] that is protruding from the bottom of the Base [371].
3. Using the Vise-Grips, clamp the Center Rod [315], and using the 3/4" Wrench or Socket, tighten the BOTTOM Hex Jam Nut [385]. Do NOT torque the top Jam Nut!
4. Slide the Gasket [373] on the Center Rod [379] and line up with the notch in the Base [371].
5. Slide the Tulip [375] and the Pipe [372] together, being sure to line up the notches.
6. Slide Pipe assembly over the Center Rod [315] and locate onto the Base [371] by lining up the notches.
7. Install the remaining Star Washer [395] and Hex Jam Nut [395] on the top of the center rod, and tighten it. NOTE: A wrench or socket may be used on each end of the Center Rod [379] to help ensure that the rod does not spin while tightening the upper nut.
8. Stand on the Base [371] and rock the Pipe [372] back and forth, then retighten the Hex Nut [385] on the bottom of the Base [371]. This helps to seat the Pipe [372] into the Base [371] so that it doesn't loosen over time.
9. Place the Double Bar [391] on top of the Flange [374]. Insert the 4, 7/8" screws [396] from the top of the Double Bar [391] and through the Flange [374].
10. Your stand is now assembled and ready to have the machines and Security Tether installed. Please see detailed installation instructions included with these components.

BS250 C



→ BS250 C (Three Machines*)

ASSEMBLY INSTRUCTIONS

****REQUIRED TOOLS (NOT SUPPLIED):** 3/4" DEEP SOCKET, 7/16" WRENCH OR SOCKET, ROBERTSON SCREW DRIVER (SIZE #2, SQUARE TIP) & VISE-GRIP PLIERS

1. Take Center Rod [315] with a pre-installed Hex Jam Nut [385] and insert into the Base [371].
2. Place a Star Washer [395] and a Hex Jam Nut [385] onto the bottom portion of the Center Rod [315] that is protruding from the bottom of the Base [371].
3. Using the Vise-Grips, clamp the Center Rod [315], and using the 3/4" Wrench or Socket, tighten the BOTTOM Hex Jam Nut [385]. Do NOT torque the top Jam Nut!
4. Slide the Gasket [373] on the Center Rod [379] and line up with the notch in the Base [371].
5. Slide the Tulip [375] and the Pipe [372] together, being sure to line up the notches.
6. Slide Pipe assembly over the Center Rod [315] and locate onto the Base [371] by lining up the notches.
7. Install the remaining Star Washer [395] and Hex Jam Nut [395] on the top of the center rod, and tighten it. NOTE: A wrench or socket may be used on each end of the Center Rod [379] to help ensure that the rod does not spin while tightening the upper nut.
8. Stand on the Base [371] and rock the Pipe [372] back and forth, then retighten the Hex Nut [385] on the bottom of the Base [371]. This helps to seat the Pipe [372] into the Base [371] so that it doesn't loosen over time.
9. Place the Triple Bar [308] on top of the Flange [374]. Insert the 4, 7/8" screws [396] from the top of the Triple Bar [308] and through the Flange [374].
10. Your stand is now assembled and ready to have the machines and Security Tether installed. Please see detailed installation instructions included with these components.

*RB series machines only