

## Thank you for purchasing a Beaver BS400/420 stand!

Please read through the instructions carefully, prior to assembly, to help ensure the stand is easily and correctly put together.

### PARTS LIST

NOTE: Please double check to ensure all parts are accounted for before discarding packaging.

Part Name	Ref Number	Order Number	Qty Required
<b>BS400 A (Two Machines)</b>			
Rectangular Base	309	50100090	1
U Tube	323	50100026	1
Yoke	318	50100019	1
1/2" x 13" x 3" Hex Bolt	342	50100020	1
1/2" Washer	386	50100104	1
Banana	317	50100015	1
Security Tether Kit	N/A	50160005	1
<b>BS400 B (Three Machines)</b>			
Rectangular Base	309	50100090	1
U Tube	323	50100026	1
Yoke	318	50100019	1
1/2" x 13" x 3" Hex Bolt	342	50100020	1
1/2" Washer	386	50100104	1
Banana	317	50100015	1
1/4" x 20 Nut	4	55100015	2
3/4" Carriage Bolts	1	50100021	2
Triple Bar	308	50100005	1
Security Tether Kit	N/A	50160005	1
<b>BS420 A (One Machine)</b>			
Rectangular Base	309	50100090	1
Teardrop Tube	321	50100027	1
Yoke	318	50100019	1
1/2" x 13" x 3" Hex Bolt	342	50100020	1
1/2" Washer	386	50100104	1
Banana	317	50100015	1
Security Tether Kit	N/A	50160005	1
<b>BS420 B (Two Machines)</b>			
Rectangular Base	309	50100090	1
Teardrop Tube	321	50100027	1
Yoke	318	50100019	1
1/2" x 13" x 3" Hex Bolt	342	50100020	1
1/2" Washer	386	50100104	1
Banana	317	50100015	1
Security Tether Kit	N/A	50160005	1



Since 1963

# Beaver Stand

[ ASSEMBLY INSTRUCTIONS ]

**BS400 A**  
[Two Machines]

**BS400 B**  
[Three Machines]

**BS420 A**  
[One Machine]

**BS420 B**  
[Two Machines]

If you have any questions or require assembly assistance, please contact us for technical support.

#### BEAVER TECHNICAL SUPPORT

Phone: 905.836.4700 CDN & INT'L  
800.265.6772 USA

Fax: 905.836.4737

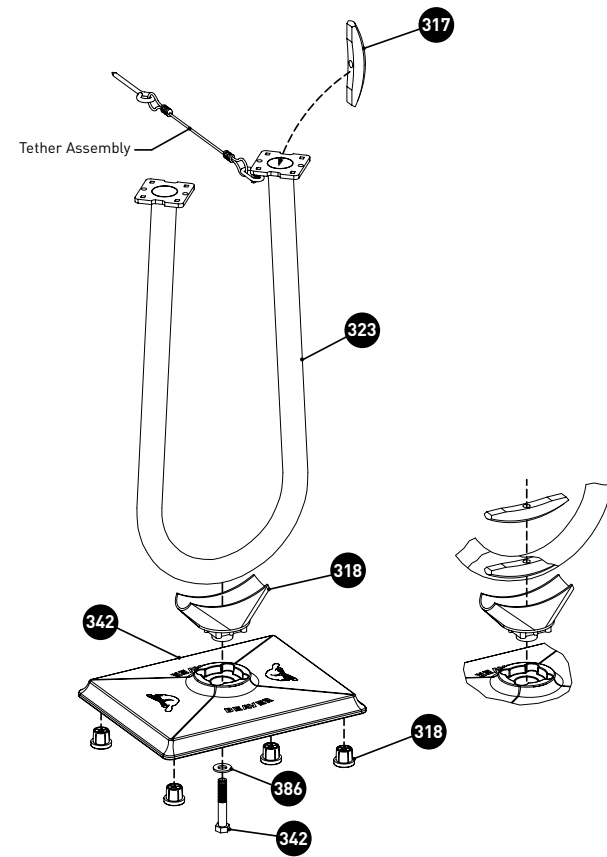
Email: [sales@beavervending.com](mailto:sales@beavervending.com)

#### HOURS OF OPERATION

Monday – Thursday: 8AM – 4:30PM EST

[WWW.BEAVERVENDING.COM](http://WWW.BEAVERVENDING.COM)

# BS400 A



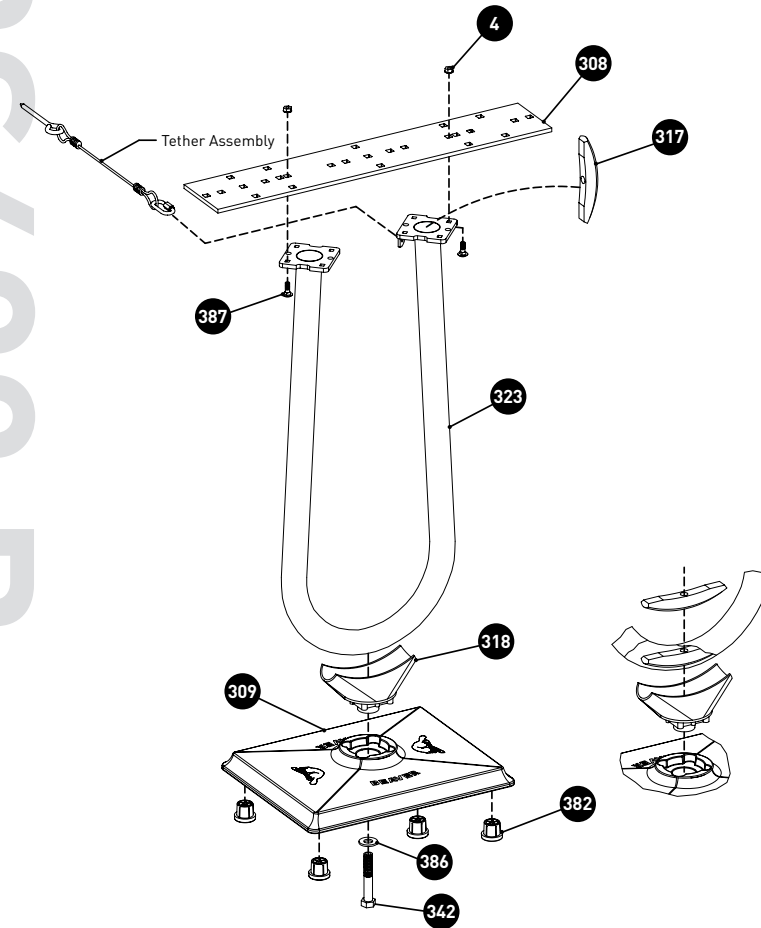
## → BS400 A (Two Machines)

### ASSEMBLY INSTRUCTIONS

**\*\*REQUIRED TOOLS (NOT SUPPLIED):** ¾" WRENCH OR SOCKET, 7/16" SOCKET

1. Install the Yoke [318] into the Base [309].
2. Insert Banana [317] into the "U" Tube [323] and arrange the threaded hole in the Banana [317] line up with the hole in the bottom of the "U" Tube [323].
3. Align "U" Tube [323] so the holes in the Yoke [318] and the Base [309] align.
4. Place ½" Washer [386] over ½" x 13" x 3" Hex Bolt [342]. Insert into bottom of Base [309] and thread into the Banana [317]. Tighten.
5. Stand on the Base [309] and rock the "U" Tube [323] back and forth, then retighten the Hex Bolt [342]. This helps to seat the "U" Tube [323] so that it will not loosen over time.
6. Your stand is now assembled and ready to have the machines and Security Tether installed. Please see detailed installation instructions included with these components.

# BS400 B



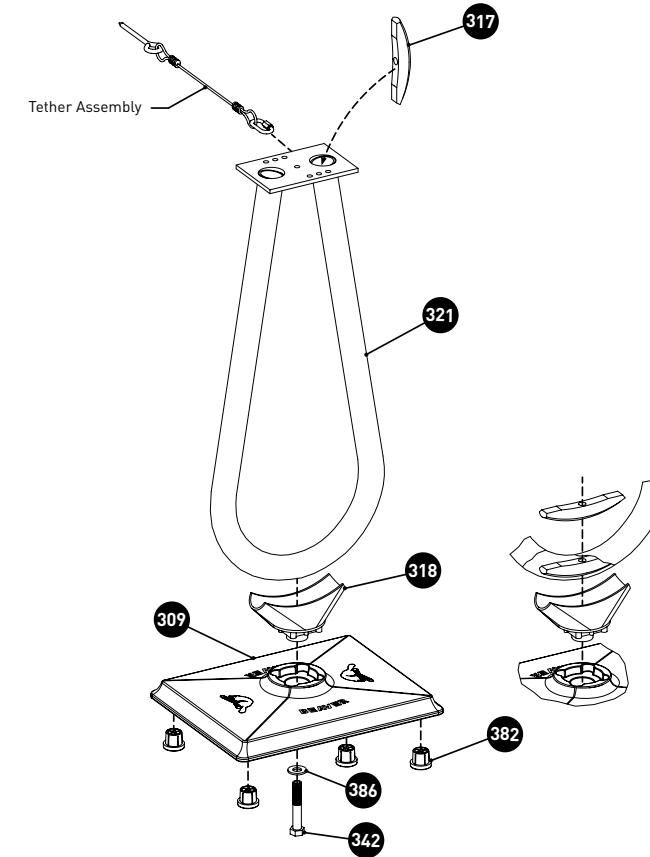
## → BS400 B (Three Machines)

### ASSEMBLY INSTRUCTIONS

**\*\*REQUIRED TOOLS (NOT SUPPLIED):** ¾" WRENCH OR SOCKET, 7/16" SOCKET

1. Install the Yoke [318] into the Base [309].
2. Insert Banana [317] into the "U" Tube [323] and arrange the threaded hole in the Banana [317] line up with the hole in the bottom of the "U" Tube [323].
3. Align "U" Tube [323] so the holes in the Yoke [318] and the Base [309] align.
4. Place ½" Washer [386] over ½" x 13" x 3" Hex Bolt [342]. Insert into bottom of Base [309] and thread into the Banana [317]. Tighten.
5. Stand on the Base [309] and rock the "U" Tube [323] back and forth, then retighten the Hex Bolt [342]. This helps to seat the "U" Tube [323] so that it will not loosen over time.
6. Place the Triple Bar [308] on the top of the "U" Tube [323]. Insert one ¾ inch Carriage Bolt [387] from the bottom of the left flange, and the other ¾ inch Carriage Bolt [387] from the bottom of the right flange. Place the two ¼ x 20 Nuts [4] on the bolts to secure the Triple Bar [308] to the flanges.
7. Your stand is now assembled and ready to have the machines and Security Tether installed. Please see detailed installation instructions included with these components.

# BS420 A



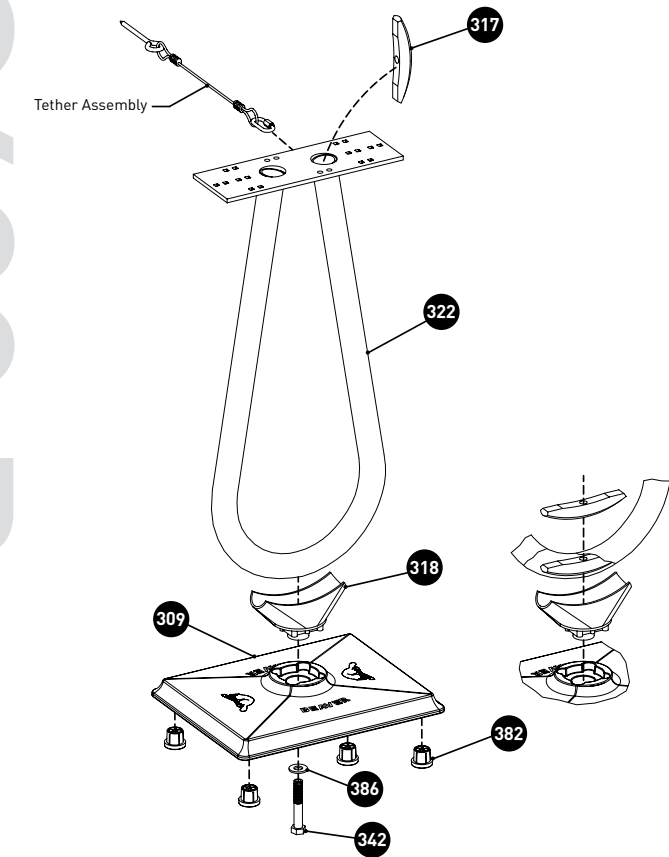
## → BS420 A (One Machine)

### ASSEMBLY INSTRUCTIONS

**\*\*REQUIRED TOOLS (NOT SUPPLIED):** ¾" WRENCH OR SOCKET, 7/16" SOCKET

1. Install the Yoke [318] into the Base [309].
2. Insert Banana [317] into the "U" Tube [321] and arrange the threaded hole in the Banana [317] line up with the hole in the bottom of the "U" Tube [321].
3. Align "U" Tube [321] so the holes in the Yoke [318] and the Base [309] align.
4. Place ½" Washer [386] over ½" x 13" x 3" Hex Bolt [342]. Insert into bottom of Base [309] and thread into the Banana [317]. Tighten.
5. Stand on the Base [309] and rock the "U" Tube [321] back and forth, then retighten the Hex Bolt [342]. This helps to seat the "U" Tube [321] so that it will not loosen over time.
6. Your stand is now assembled and ready to have the machines and Security Tether installed. Please see detailed installation instructions included with these components.

# BS420 B



## → BS420 B (Two Machines)

### ASSEMBLY INSTRUCTIONS

**\*\*REQUIRED TOOLS (NOT SUPPLIED):** ¾" WRENCH OR SOCKET, 7/16" SOCKET

1. Install the Yoke [318] into the Base [309].
2. Insert Banana [317] into the "U" Tube [321] and arrange the threaded hole in the Banana [317] line up with the hole in the bottom of the "U" Tube [321].
3. Align "U" Tube [321] so the holes in the Yoke [318] and the Base [309] align.
4. Place ½" Washer [386] over ½" x 13" x 3" Hex Bolt [342]. Insert into bottom of Base [309] and thread into the Banana [317]. Tighten.
5. Stand on the Base [309] and rock the "U" Tube [321] back and forth, then retighten the Hex Bolt [342]. This helps to seat the "U" Tube [321] so that it will not loosen over time.
6. Your stand is now assembled and ready to have the machines and Security Tether installed. Please see detailed installation instructions included with these components.