

Thank you for purchasing a Beaver BS 300 Stand!

Please read through the instructions carefully,
prior to assembly, to help ensure the stand is
easily and correctly put together.

PARTS LIST

NOTE: Please double check to ensure all parts are accounted for before
discarding packaging.

Part Name	Ref Number	Order Number	Qty Required
BS300 B31 (1 NB/BGB ON TOP – 2 x 16" MACHINES BOTTOM)			
Rectangular Base	309	50100090	1
"J" Pipe	320a	50100016	1
Yoke	318	50100019	1
Double Bar	307	50100004	1
½" Washer	386	50100104	1
½" x 13 x 3" Hex Bolt	342	55100020	1
Banana	317	50100015	1
¾" Carriage Bolts	387	55100021	4
¼" x 20 Nut	4	55100010	8
1" Carriage Bolt	1	55100006	4
Feet (Pre-Installed)	382	50100091	4
Security Tether Kit	N/A	50160005	1
BS300 B35 (1 NB/BGB ON TOP – 2 x 18" MACHINES BOTTOM OR 2 RB SERIES ON TOP – 1 NB/BGB ON BOTTOM)			
Rectangular Base	309	501000090	1
"J" Pipe	320b	50100017	1
Yoke	318	50100019	1
Double Bar	307	50100004	1
½" Washer	386	50100104	1
½" x 13 x 3" Hex Bolt	342	55100020	1
Banana	317	50100015	1
¾" Carriage Bolts	387	55100021	4
¼" x 20 Nut	4	55100010	8
1" Carriage Bolt	1	55100006	4
Feet (Pre-Installed)	382	50100091	4
Security Tether Kit	N/A	50160005	1
BS300 C35(2 RB SERIES ON TOP – 2 x 18" MACHINES ON BOTTOM)			
Rectangular Base	309	501000090	1
"J" Pipe	320c	50100018	1
Yoke	318	50100019	1
Double Bar	307	50100004	2
½" Washer	386	50100104	1
½" x 13 x 3" Hex Bolt	342	55100020	1
Banana	317	50100015	1
¾" Carriage Bolts	387	55100021	8
¼" x 20 Nut	4	55100010	8
Feet (Pre-Installed)	382	50100091	4
Security Tether Kit	N/A	50160005	1



Since 1963

Beaver Stand

[ASSEMBLY INSTRUCTIONS]

BS300 B31

BS300 B35 A & B

BS300 C35

If you have any questions or require
assembly assistance, please contact
us for technical support.

BEAVER TECHNICAL SUPPORT

Phone: 905.836.4700 CDN & INT'L
800.265.6772 USA

Fax: 905.836.4737

Email: sales@beavervending.com

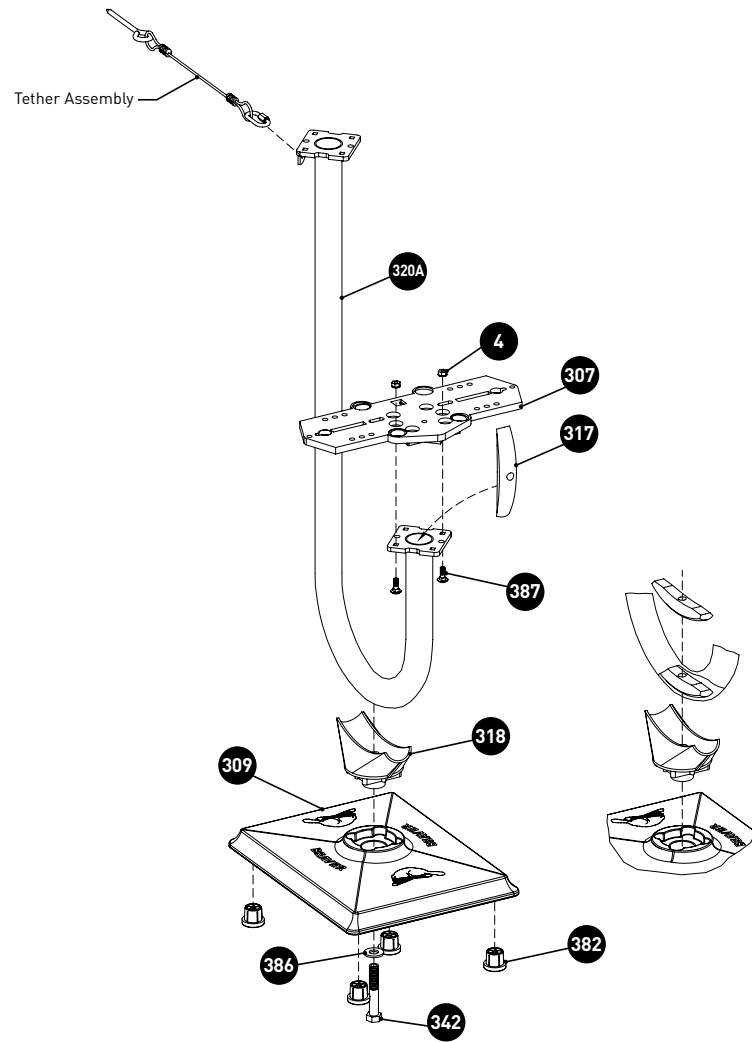
HOURS OF OPERATION

Monday – Thursday: 8AM – 4:30PM EST
Friday: 8AM – 11.30AM EST

WWW.BEAVERENDING.COM



BS300 B31



→ BS300 B31

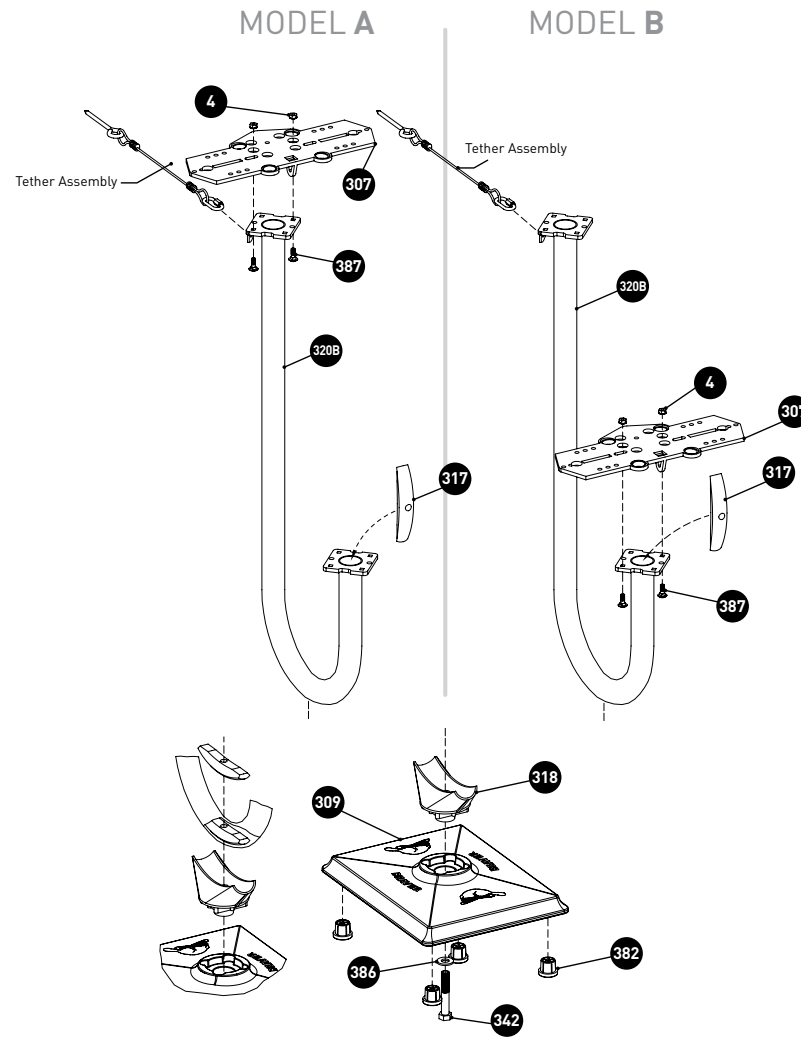
1 NB/BGB ON TOP – 2 x 16" MACHINES BOTTOM

ASSEMBLY INSTRUCTIONS

REQUIRED TOOLS (NOT SUPPLIED): 3/4" WRENCH OR SOCKET AND 7/16" SOCKET

1. Place the Yoke [318] into Base [309].
2. Insert Banana [317] into "J" Tube [320] so the threaded hole in the Banana lines up with the hole in the bottom of the J Tube [320].
3. Align "J" Tube [320] so the hole matches the hole in the Yoke [318] and the Base [309].
4. Place 1/2" Washer [386] over 1/2" x 13 x 3" Hex Bolt [342] and insert into hole on bottom of base to connect "J" Tube [320]. Tighten. NOTE: The Hex Bolt [342] will thread into the Banana [317]
5. Stand on the Base [309] and rock the "J" Tube [320] back and forth, then retighten the Hex Bolt [342]. This helps to seat the "J" Tube [320] so that is will not loosen over time.
6. Place the Double Bar [307] on top of the bottom flange. Insert the four 3/4 inch Carriage Bolts [387] from the bottom of the flange, and use the four 1/4 x 20 nuts [4] to secure the bar to the flange.
7. Your stand is now assembled and ready to have the machines and Security Tether installed. Please see detailed installation instructions included with these components.

BS300 B35



→ BS300 B35 A & B

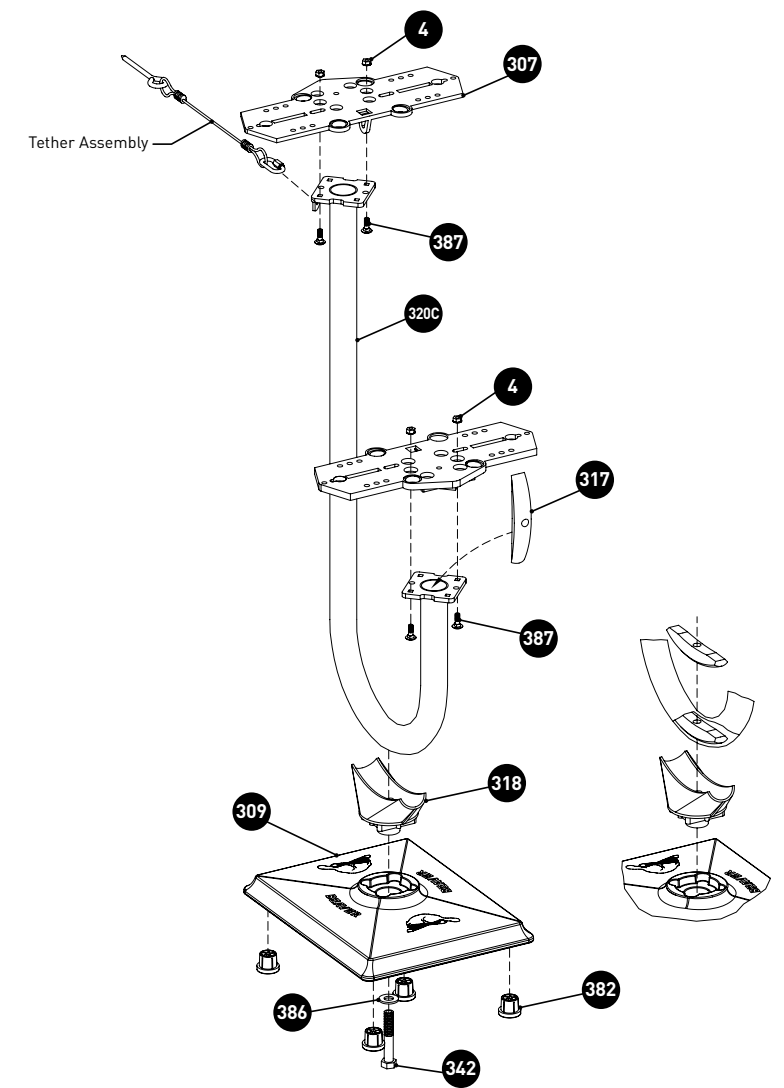
1 NB/BGB ON TOP – 2 x 18" MACHINES BOTTOM OR
2 RB SERIES ON TOP – 1 NB/BGB ON BOTTOM

ASSEMBLY INSTRUCTIONS

REQUIRED TOOLS (NOT SUPPLIED): 3/4" WRENCH OR SOCKET AND 7/16" SOCKET

1. Place the Yoke [318] into Base [309].
2. Insert Banana [317] into "J" Tube [320] so the threaded hole in the Banana lines up with the hole in the bottom of the J Tube [320].
3. Align "J" Tube [320] so the hole matches the hole in the Yoke [318] and the Base [309].
4. Place 1/2" Washer [386] over 1/2" x 13 x 3" Hex Bolt [342] and insert into hole on bottom of base to connect "J" Tube [320]. Tighten. NOTE: The Hex Bolt [342] will thread into the Banana [317]
5. Stand on the Base [309] and rock the "J" Tube [320] back and forth, then retighten the Hex Bolt [342]. This helps to seat the "J" Tube [320] so that is will not loosen over time.
6. Place the Double Bar [307] on top of the bottom flange. Insert the four 3/4 inch Carriage Bolts [387] from the bottom of the flange, and use the four 1/4 x 20 nuts [4] to secure the bar to the flange.
7. Your stand is now assembled and ready to have the machines and Security Tether installed. Please see detailed installation instructions included with these components.

BS300 C35



→ BS300 C35

2 RB SERIES ON TOP – 2 x 18" MACHINES ON BOTTOM

ASSEMBLY INSTRUCTIONS

REQUIRED TOOLS (NOT SUPPLIED): 3/4" WRENCH OR SOCKET AND 7/16" SOCKET

1. Place the Yoke [318] into Base [309].
2. Insert Banana [317] into "J" Tube [320] so the threaded hole in the Banana lines up with the hole in the bottom of the J Tube [320].
3. Align "J" Tube [320] so the hole matches the hole in the Yoke [318] and the Base [309].
4. Place 1/2" Washer [386] over 1/2" x 13 x 3" Hex Bolt [342] and insert into hole on bottom of base to connect "J" Tube [320]. Tighten. NOTE: The Hex Bolt [342] will thread into the Banana [317]
5. Stand on the Base [309] and rock the "J" Tube [320] back and forth, then retighten the Hex Bolt [342]. This helps to seat the "J" Tube [320] so that is will not loosen over time.
6. Place the Double Bar [307] on the top flange. Insert the four 3/4 inch Carriage Bolts [387] from the bottom of the flange, and use the four 1/4 x 20 nuts [4] to secure the bar to the flange. Repeat for the bottom flange.
7. Your stand is now assembled and ready to have the machines and Security Tether installed. Please see detailed installation instructions included with these components.